

MOTOR SPECIFICATION SHEET

MODEL : SF-QR 1HP 2P (LT)

USED FOR : STANDARD

DESCRIPTION	DETAIL			
PHASE	3			
MODEL NAME	SF-QR			
RATED OUTPUT, HP (kW)	1 (0.75)			
POLE	2			
CODE	MEATH CODE : 1M002F-200075QRGD0			
OUTLINE DRAWING NO.	ONM84O174-C			
RATED VOLTAGE (V)	220	380	415	
RATED FREQUENCY (Hz)	50	50	50	
RATED CURRENT (A)	3.00	1.75	1.77	
RATED SPEED (min ⁻¹)	2830	2830	2850	
RATED EFFICIENCY (%)	76.7	76.7	75.7	
EFFICIENCY CLASS	IE1			
THERMAL CLASS	155(F)			
RATING	S1 (CONTINUOUS)			
ENCLOSURE CONSTRUCTION	TOTALLY ENCLOSED FAN COOLED			
DEGREES OF PROTECTION	IP55			
METHOD OF COOLING	IC411			
FRAME NO.	80M			
WEIGHT (kg)	10.5			
STANDARD	IEC 60034-1, IEC 60034-30-1			
INSTALLATION	FOOT MOUNTED			
ROTATION	CCW (VIEWED FROM SHAFT END)			
BEARING	LOAD SIDE : 6204ZZ			
	OPPOSITE SIDE : 6203ZZ			
BEARING GREASE	UREA GREASE			
NOISE (dB.A)	73			
VIBRATION	V15			
CIRCUMSTANCE CONDITION	AMBIENT TEMPERATURE : -20 ~ +40°C			
	AMBIENT HUMIDITY : 95%RH OR LESS			
	ABOVE SEA LEVEL : 1000m OR LESS			
	ENVIRONMENT : NO BURSTING/EROSIVE GAS OR VAPOR			
COLOR	MUNSELL N1.5 (BLACK)			
TERMINAL BOX	NO. OF LEAD WIRES : 6			
	SOURCE CONNECTION : TERMINAL BLOCK			
SHAFT SWING	≤0.03mm			
MATERIAL	FRAME : STEEL PLATE			
	BRACKET : ALUMINIUM			
	SHAFT : CARBON STEEL			
	STATOR CORE : ELECTRICAL STEEL			
	WIRE : ENAMELLED COPPER MAGNET WIRE			
	ROTOR CORE : ELECTRICAL STEEL			
	CONDUCTOR : ALUMINIUM			
	TERMINAL BOX : STEEL PLATE			
	PAINTING : POLYURETHANE RESIN			
PRODUCTION COUNTRY	THAILAND			

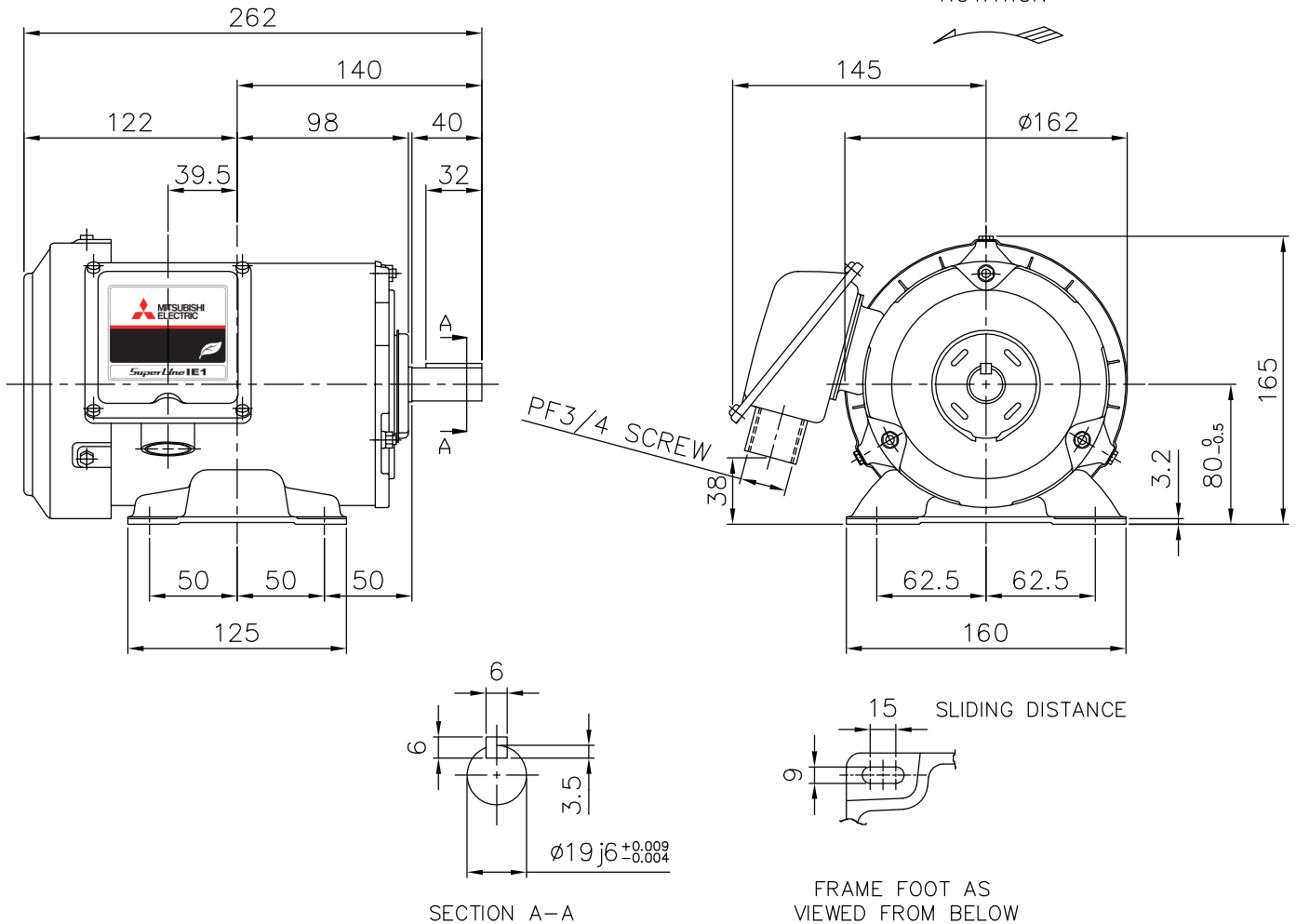
Specifications subject to change without notice.

SPECIFICATION SHEET NO.				
SS-M-8986-A				

MODEL SF-QR THREE PHASE INDUCTION MOTOR OUTLINE DRAWING

TOTALLY ENCLOSED FAN COOLED TYPE
 DEGREES OF PROTECTION IP55
 DUST & WATER JET PROOF

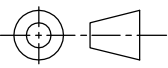
CUSTOMER _____
 USER _____
 FOR _____
 CUSTOMER'S ORDER NO. _____
 QUANTITY _____
 MFG. ORDER NO. _____



YOUR ORDER	FRAME SIZE	RATING	TH. CLASS	AMB. TEMP.	BEARINGS		COLOR	DIRECTION OF ROTATION (VIEWED FROM SHAFT END)	NO. OF LEAD WIRES	REMARKS
					LOAD SIDE	OPP. SIDE				
	80M	S1 (CONT.)	155(F)	40°C	6204ZZ	6203ZZ	BLACK (MUNSELL N1.5)	CCW	6	

YOUR ORDER	OUTPUT		POLES	VOLT	HERTZ	AMP.	RPM	IE CODE-RATED EFF.	REMARKS
	HP	kW							
	1	0.75	2	220/380/415	50	3.00/1.75/1.77	2830/2830/2850	IE1 76.7%/76.7%/75.7%	LT
	1	0.75	4	220/380/415	50	3.20/1.85/1.80	1400/1400/1410	IE1 76.7%/76.7%/78.0%	LT
	1/2	0.4	6	220/380/415	50	2.23/1.28/1.30	920/920/930	IE1 68.2%/68.2%/69.0%	LT

MITSUBISHI ELECTRIC AUTOMATION (THAILAND) CO., LTD.

 DIMENSION IN mm. SCALE : NTS	OUTLINE DRAWING NO.	REV.
	ONM840174	C